

WFBV 乾坑直立式不堵塞泵

Vertical Dry Pit Clog-less Pumps



- 單級端吸離心式泵浦
 - 口徑： $\varnothing 50 \sim \varnothing 200\text{mm}$ (2"~8")
 - 流量範圍 $0.1 \text{ m}^3/\text{min} \sim 20 \text{ m}^3/\text{min}$
 - 揚程範圍2m~90m
 - 溫度範圍 200°C
 - 壓力範圍 $16 \text{ kg}/\text{cm}^2$
 - 通過最大粒徑85mm
 - 選用渦流葉輪或雙通道葉輪
-
- Single stage end suction centrifugal pump
 - Port range: $\varnothing 50 \sim \varnothing 200\text{mm}$ (2"~8")
 - Capacity range: $0.1 \text{ m}^3/\text{min} \sim 20 \text{ m}^3/\text{min}$
 - Heads range: 2m~90m
 - Temperatures: up to 200°C
 - Working pressures: $16 \text{ kg}/\text{cm}^2$
 - Maximum particle size: 85mm
 - Two channel or vortex impeller available

ISO 9001
BSMI
認可登錄
ISO 9001
2000/CNS 12681
REGISTERED
6M7Y006

專營：離心泵、多段高壓泵、紙漿泵、
雷射對心墊片、自動加油杯。



萬事興實業有限公司
ALL STAR PUMP ENTERPRISE CO.,LTD.



》用途

- 適用範圍：適用於各種研磨液體中含有固體之抽送處理，以及大和長的污染物，應用嚴重污染廢紙污水和造紙廢棄物。
- 低功耗：WFBV系列由於特殊葉輪葉片設計，渦流泵可展現出非常高之效率，然而雙通道不阻塞葉輪可達到更高之效率。
- 耐磨：許多用途具有高度腐蝕性，泵殼有耐磨蝕的鑄件壁厚與平滑之內部輪廓，增長使用壽命。
- 不阻塞：泵殼有較寬敞的水路，搭配雙通道不阻塞葉輪與更大水路之渦流葉輪，確保不阻塞。
- 一般用：廢水處理。

》技術特徵

- 背向拉出設計，利於拆卸及組裝，不必移動管路維修較容易。
- 軸承以機油潤滑，品質穩定，故障率低，可連續長期使用。
- 立式結構易於安裝維護保養，所需面積較一般橫式泵浦小，提高空間利用率。

》配件

- 相對法蘭。
- 聯軸器。
- 底座。
- 三相馬達，電壓：208~480V，頻率60/50Hz
過載保護器由使用者自行安裝在電控箱。

》Application

- Solids handling pump for all kinds of liquids containing abrasives, large and long contaminants. Typical applications are severely contaminated water.
- Low Energy Consumption: Special hydraulic design of vortex impeller and two channels impellers, has higher efficiencies for volute pump, and deliver more.
- Wear Resistance: Focus on highly erosive applications, the pump casing has generous wall thicknesses and smooth internal contours to allow for a long service life.
- Clog-less: The spacious volute of pump casing for vortex impeller and two channel impeller, could offer larger passages of the flow channel to ensure a clog-less.
- General Industries: Waste water treatment.

》Design Features

- Back pull-out design is capable to removal of rotor assembly without disconnecting the suction or discharge pipe line.
- The bearing lubricated with the oil has steady quality and longer mean time between failures, is suitable for a long time continuously operation.
- Vertical structure for easy to install and maintenance, the required area for installation is smaller than the horizontal pump to improve space utilization.

》Accessories

- Butt joint flange | Set.
- Coupling | Set
- Base plate
- Three-phase motor: 208~480V 60/50Hz : overload protection to be provided by user and installed in the control panel



》構造說明

● 泵殼：

泵體及吸入彎管均設有清除異物之清掃孔，毋需拆卸泵浦即可輕易清除異物及污泥便於定時保養減少故障的機率，並有耐磨蝕的鑄件壁厚與平滑之內部輪廓，具背向拉出設計。

● 葉輪：

一、渦流葉輪：適用於任何類型的汙染液體，特別能處理長與大型固體之抽送。

二、雙通道不阻塞葉輪：為封閉式葉輪，寬敞的流道可通過相當大之固體，也適用於乾淨的液體。

● 磨損環：

用於雙通道葉輪，用來保護泵殼入口不被葉輪磨損，可以定期更換以確保泵浦效率。

● 軸與軸套：

最完善之設計以獲得最大之負荷量與最小之扭曲。

● 軸承箱：

簡單式重負荷之軸系設計，可適合機油與牛油潤滑。

》Construction elucidate

● CASING:

Pump and suction pipe are equipped with clean hole to remove foreign body no need to dismantle, foreign body and sludge can be easily removal to facilitate regular maintenance and reduce the chances of failure, the pump casing has generous wall thicknesses and smooth internal contours with back pulled out designed.

● IMPELLER

1. Vortex impellers are used for all types of contaminated liquids, the advantage is the ability to handle large size particle and long strip body.

2. Two channel impellers have large flow area and can pass quite large solids, with efficiencies similar those closed type impellers, would be suitable for clean liquids also.

● WEARING RING

Only for two channel impeller to seal internal leakage between impeller and casing at pump inlet, wearing ring protects the pump casing and keeping pump performance, needed inspect and maintenance on schedule.

● SHAFT AND SHAFT SLEEVE

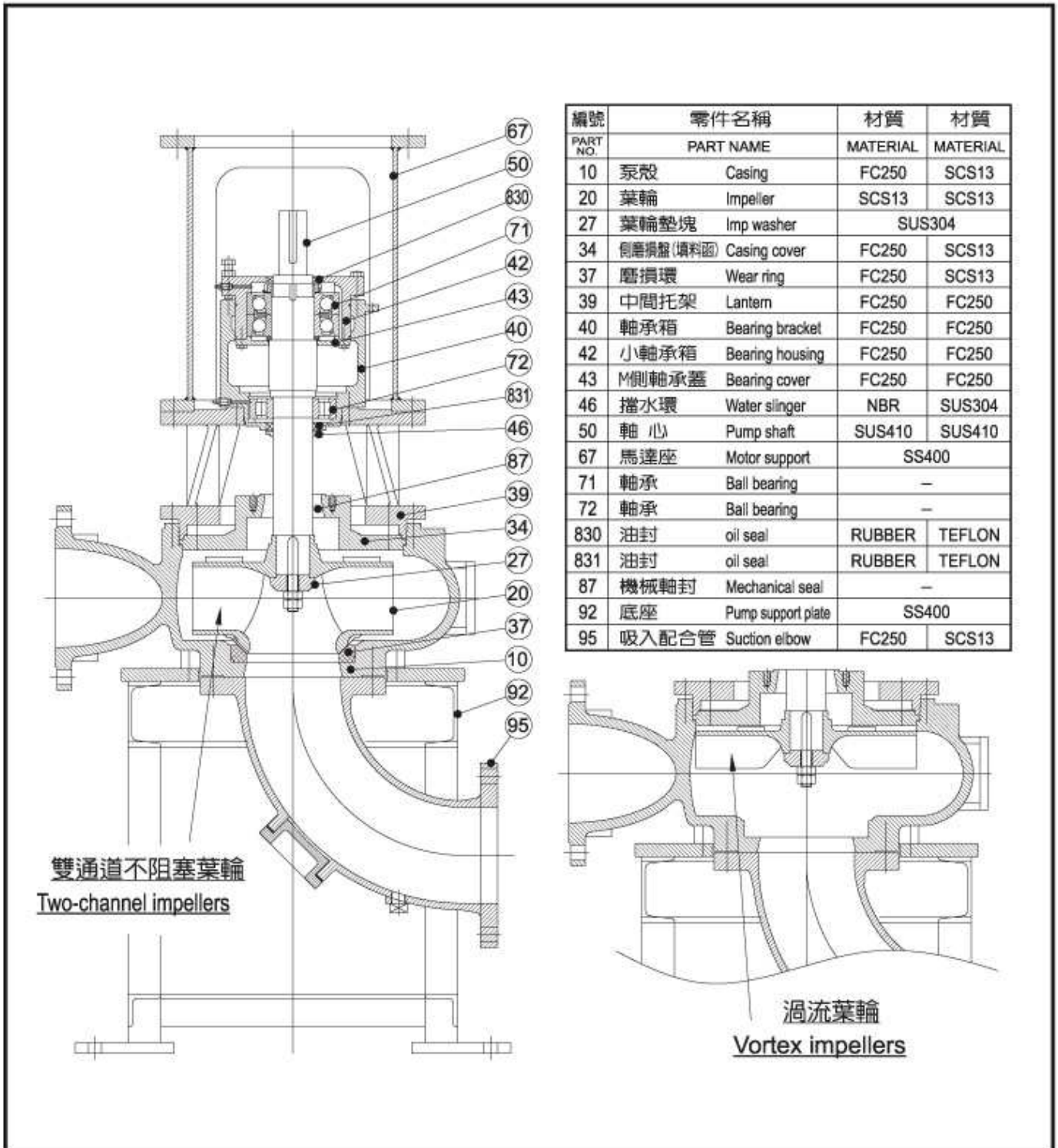
Shaft sleeve shall be turned and ground to exact dimension with right fitting, high stiffness shaft carry all kinds loading and prevent distortion.

● BEARING BRACKET

Heavy-duty designed in brief structure, oil or grease lubricants could be choice.



》產品構造(Construction)

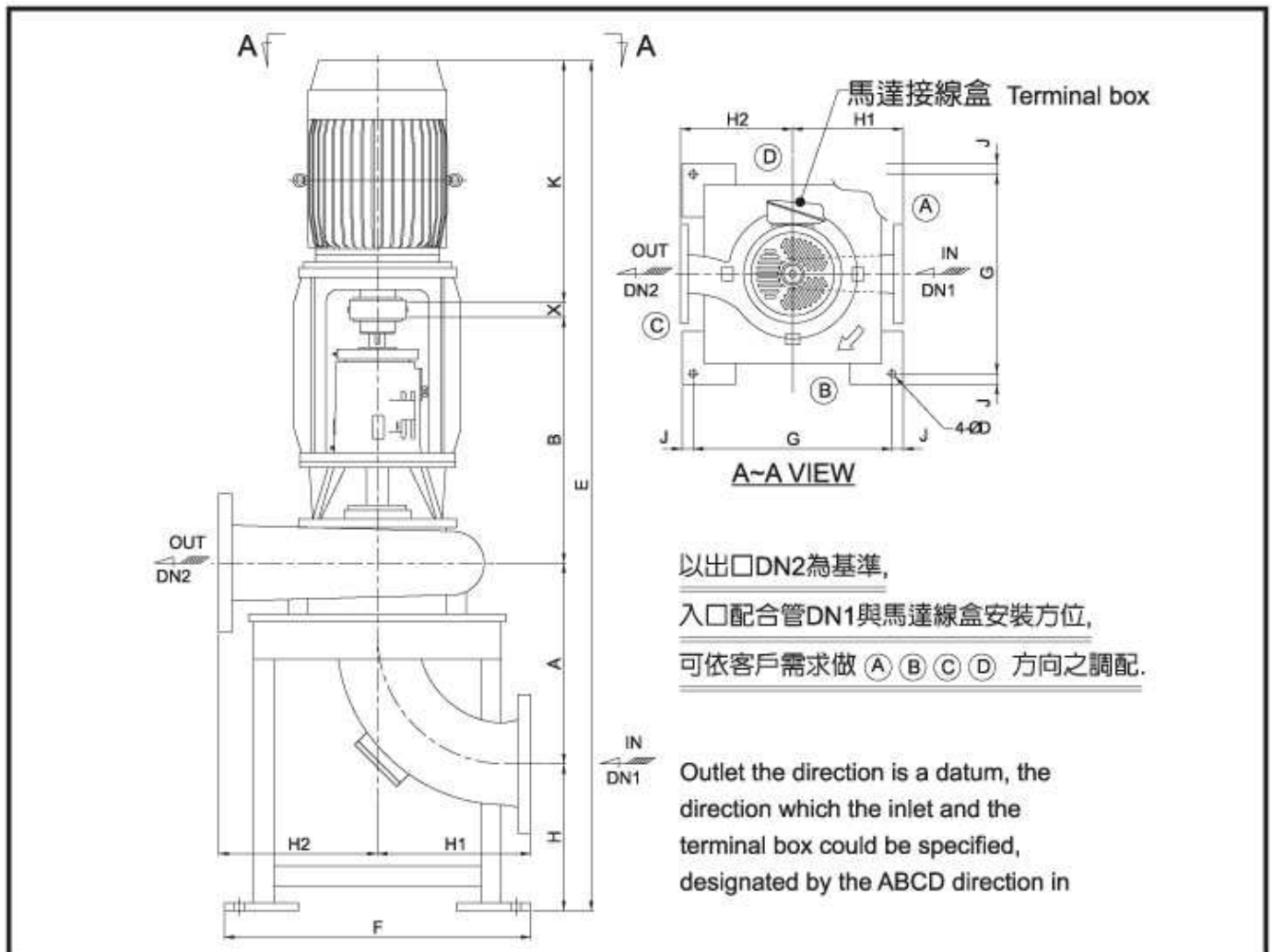


零件的互換性決定於軸與軸承系統,#2型,#3型等, 這些軸與軸承系統都可以針對客戶需求作特殊設計,以滿足製程應用之需求。

Parts interchangeable based on shaft bearing system,#2 type,#3 type, special designed to meet differential application is available.



》尺寸表(Standard Dimensions)



型號 (Type)	軸型式 (Model)	DN1 (Inlet)	DN2 (Outlet)	A	B	H1	H2	MAX. SOLID	
								Vortex impellers	Two-channel impellers
50*50-200	#2	50	50	380	520	310	225	-	46
50*50-260	#2	50	50	380	520	310	250	35	-
80*80-260	#2	80	80	380	520	310	280	50	-
100*100-320	#3	100	100	380	570	310	355	82	70
150*150-320	#3	150	150	390	590	310	360	75	81
200*200-320	#3	200	200	450	605	350	410	95	75
125*100-380	#3	125	100	390	590	310	400	61	80
150*150-380	#3	150	150	390	590	310	400	75	80
200*200-380	#3	200	200	450	605	350	440	-	85

單位(UNIT):mm

※以上尺寸僅供參考,正確尺寸依承認圖為基準。

※The above-mentioned size are only for reference, the correct size, in accordance with acknowledging pursuing as basis.

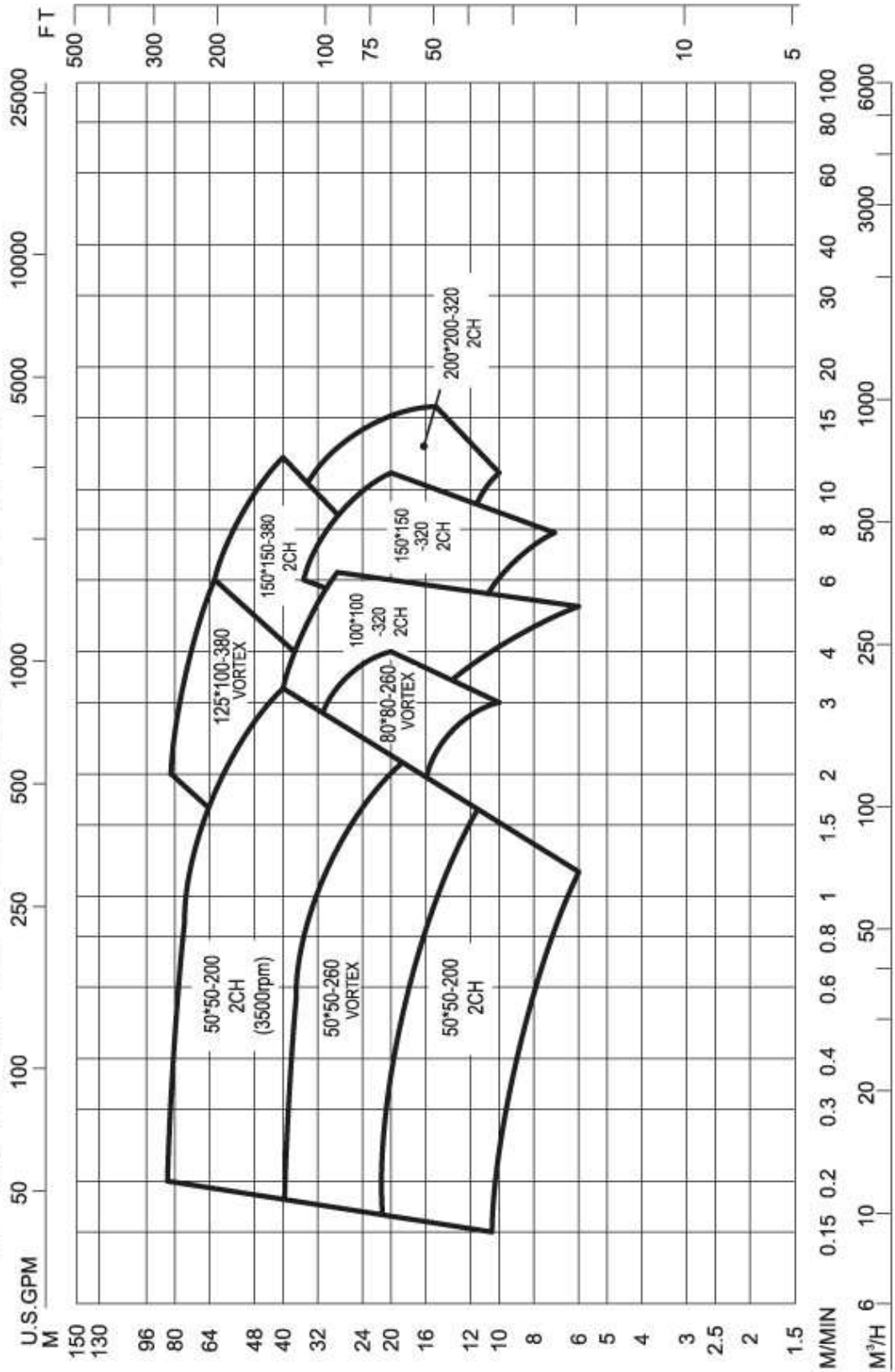
註: 一. 底座的尺寸(F,H,E,G,J,D,X,K)等是由馬達框號,聯軸器型號,與底座的製造方法等參數而決定,訂購前請與我們聯繫讓我們提供更詳細正確的資訊。

(Base plate relative dimension (F,H,E,G,J,D,X,K) depends on frame of motor, fabrication method and coupling type , please contact us to get more detail information before order.)



ALL STAR PUMP ENTERPRISE CO.,LTD. MODEL: WFBV 60HZ:1750R.P.M

性能選擇表 PERFORMANCE RANGES

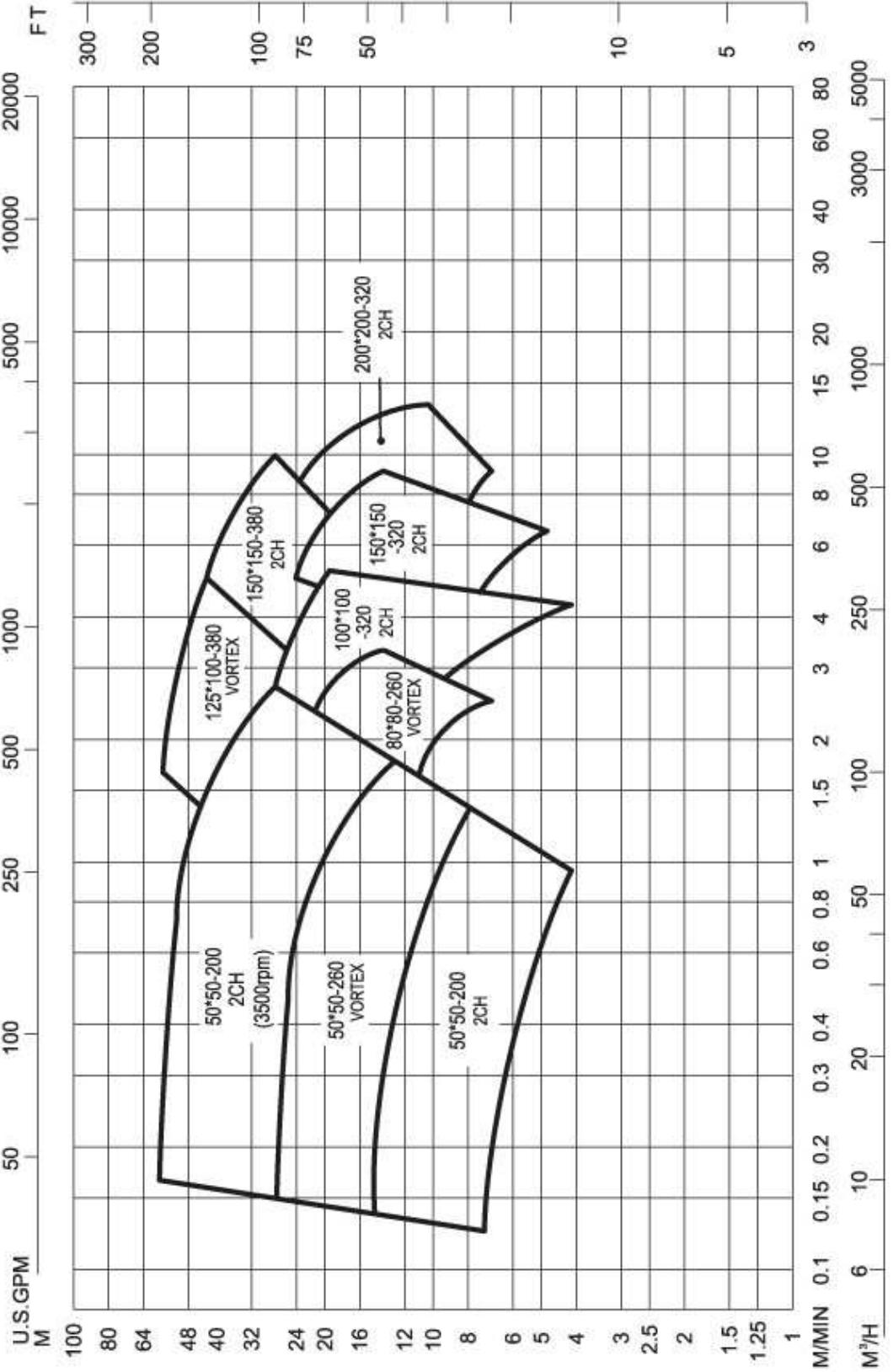


備註：2CH=TWO CHANNEL



ALL STAR PUMP ENTERPRISE CO.,LTD. MODEL: WFBV 50HZ:1450R.P.M

性能選擇表 PERFORMANCE RANGES



備註：2CH=TWO CHANNEL



》如蒙洽詢請指示下列各項

In sending your enquiry or order, please inform us with the following Informations in detail:

1. 出水量(Capacity): _____ m³/min, _____ US.GPM or _____ IMP. GPM .
2. 總揚程(Total head): _____ m or _____ feet
3. 液體(Liquid): _____
4. 液體溫度(Temperature of liquid): _____ °C or _____ °F
5. 紙漿濃度(Pulp consistency): _____ %
6. 比重(Specific gravity): _____
7. 酸鹼度(P.H.): _____
8. 運轉溫度下之蒸氣壓力(Vapor pressure at operating temperature):
_____ kg/cm², or _____ PSIA
9. 可用之淨有效吸入揚程(NPSH available): _____ m or _____ feet
10. 泵浦迴轉數(Pump speed): _____ rpm
11. 驅動馬達出力(Driven motor output): _____ KW or _____ HP
12. 電源特性(Electric characteristics):
_____ Phase _____ Cycle _____ Volts



萬事興實業有限公司
ALL STAR PUMP ENTERPRISE CO.,LTD.

嘉義市港坪里育人路165巷41弄14號 電話：05-2359597 傳真：05-2358969

No.14 Alley 41, Lane 165, Yu Zen Road, Gun-Pingli, Chia-Yi City, Taiwan.R.O.C.

TEL:886-5-2359597 FAX:886-5-2358969

<http://www.aspump.com.tw> E-mail:starpump@ms26.hinet.net