

# VCP 汽水分離泵浦

Vacuum Dewater Pumps.



- 最大分離 Maximum separation capacity
- 最小面積 Minimum floor space
- 低維護 Low maintenance cost

ISO 9001  
BSMI  
認可登錄  
ISO 9001  
2000/CNS 12681  
REGISTERED  
6M7Y006

專營：離心泵、多段高壓泵、紙漿泵、  
雷射對心墊片、自動加油杯。



萬事興實業有限公司  
ALL STAR PUMP ENTERPRISE CO.,LTD.



## 》用途

- 真空度穩定，提昇製紙品質。
- 毛毯透氣度增加，延長使用壽命。
- 減少蒸氣使用量。
- 提高紙機車速，提昇產能。

## 》技術特徵

- 高效率、低NPSH葉輪設計，不會產生空蝕現象。
- 順利操作的真空度最低可達700 Torr (絕對壓力60 Torr)，可大幅提高抄紙速度。
- 降低真空泵浦電力消耗5%~10%，並延長使用壽命。

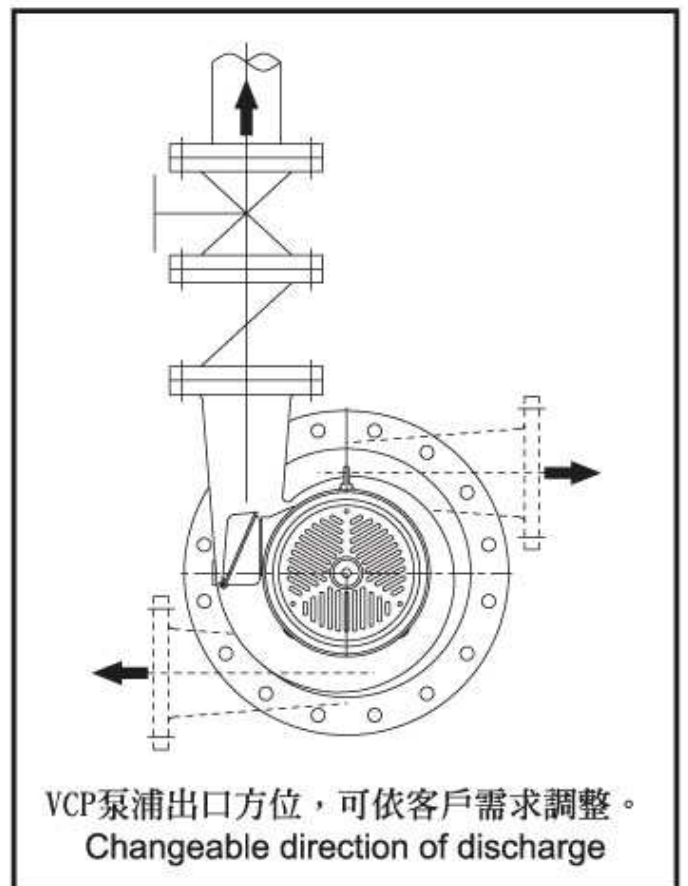
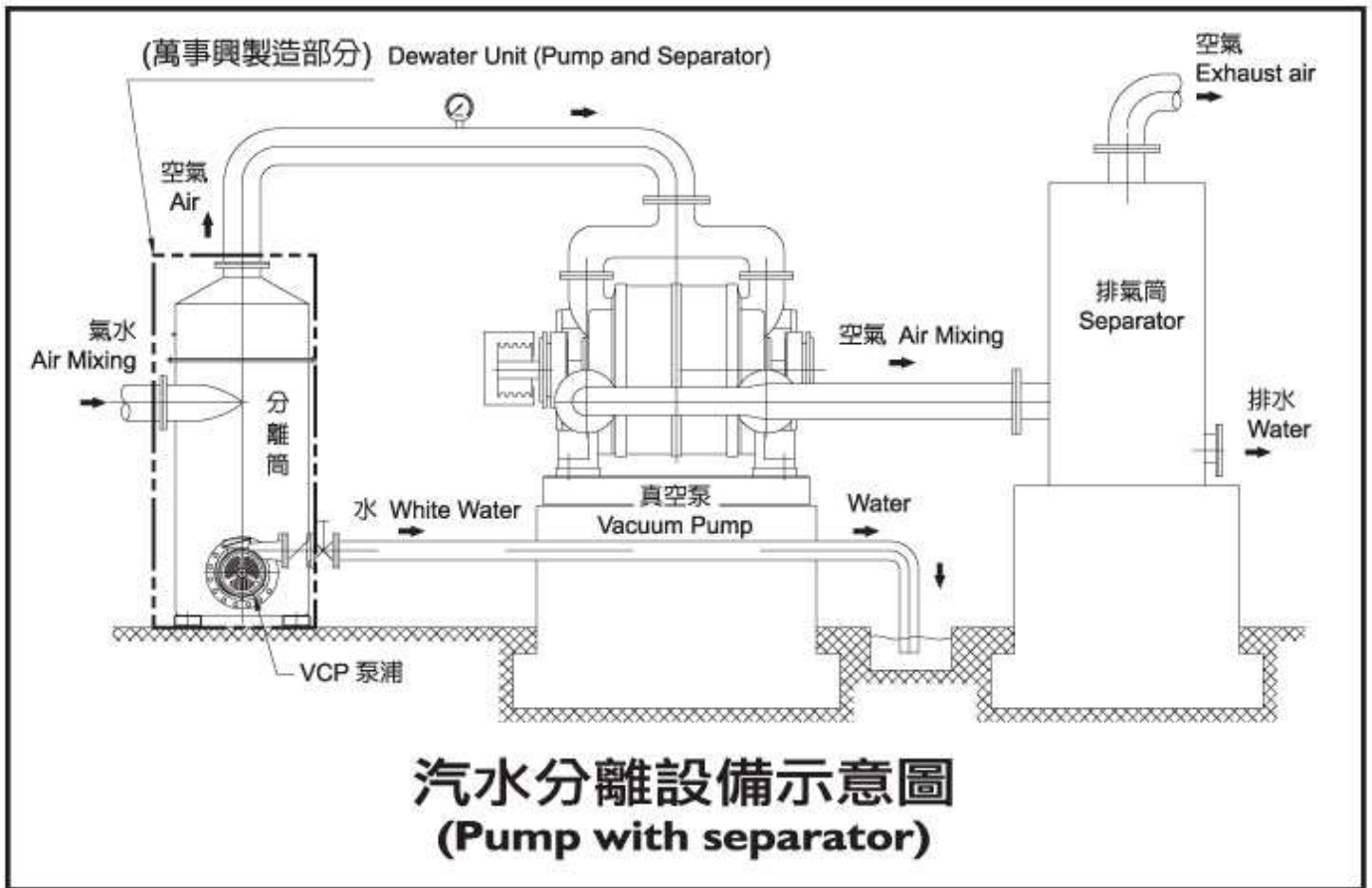
## 》Application

- Stable drain out white water under vacuum dewatering process, also improving paper quality and productivity.
- Extending the service life of blankets by getting more air permeability
- To reduce steam consumption
- Improve productivity from higher machine speed

## 》Design Features

- High efficiency and low NPSHr impeller design, free from cavitations.
- Lower vacuum up to 700 Torr (absolute pressure 60 Torr) with smooth operation, improving the papermaking productivity
- Reduce the power consumption of vacuum pump more than 5% to 10%, and extend service life



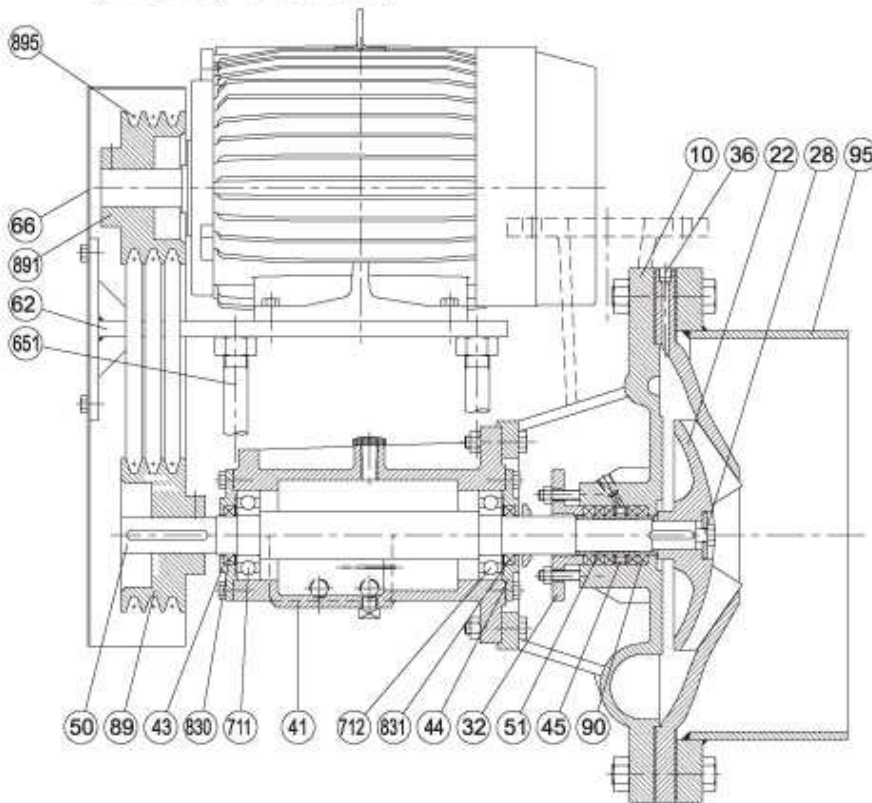






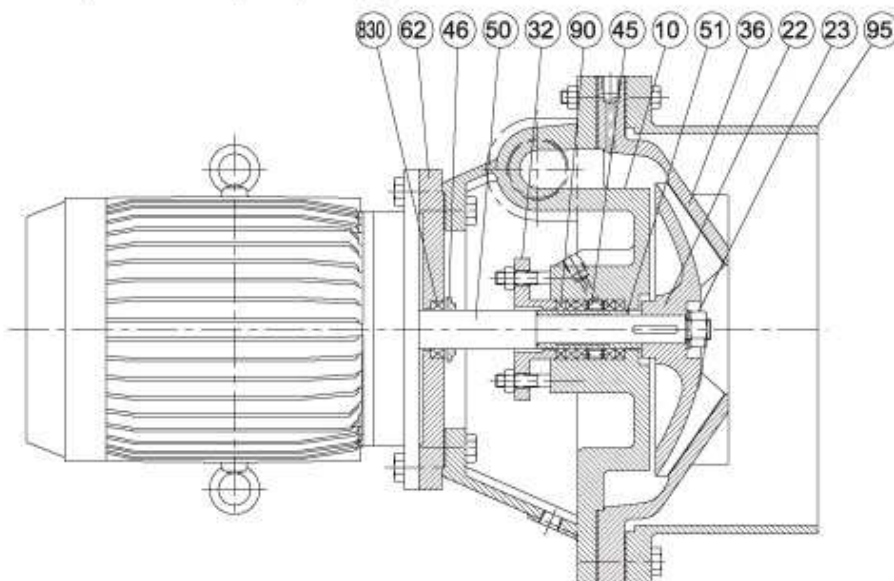
## 》產品構造(Construction)

### 一、皮帶輪傳動泵 (Driven by belt motor)



編號	零件名稱	
10	泵殼	Casing
22	葉輪	Impeller
28	葉輪螺栓	Impeller bolt
32	填料蓋	Gland
36	吸入蓋	Side plate
41	軸承箱	Bearing housing
43	M側軸承蓋	Bearing cover
44	P側軸承蓋	Bearing cover
45	水封環	Lantern ring
50	軸心	Pump shaft
51	軸套	Shaft sleeve
62	馬達底板	Motor base
651	軸承箱固定螺栓	Stud bolt
66	護罩	protecting cover
711	滾珠軸承	Radial bearing
712	滾珠軸承	Radial bearing
830	M側油封	Oil seal
831	P側油封	Oil seal
89	P側皮帶輪	belt pulley
891	M側皮帶輪	belt pulley
895	皮帶	belt
90	填料	Gland packing
95	吸入筒配合管	suction tube

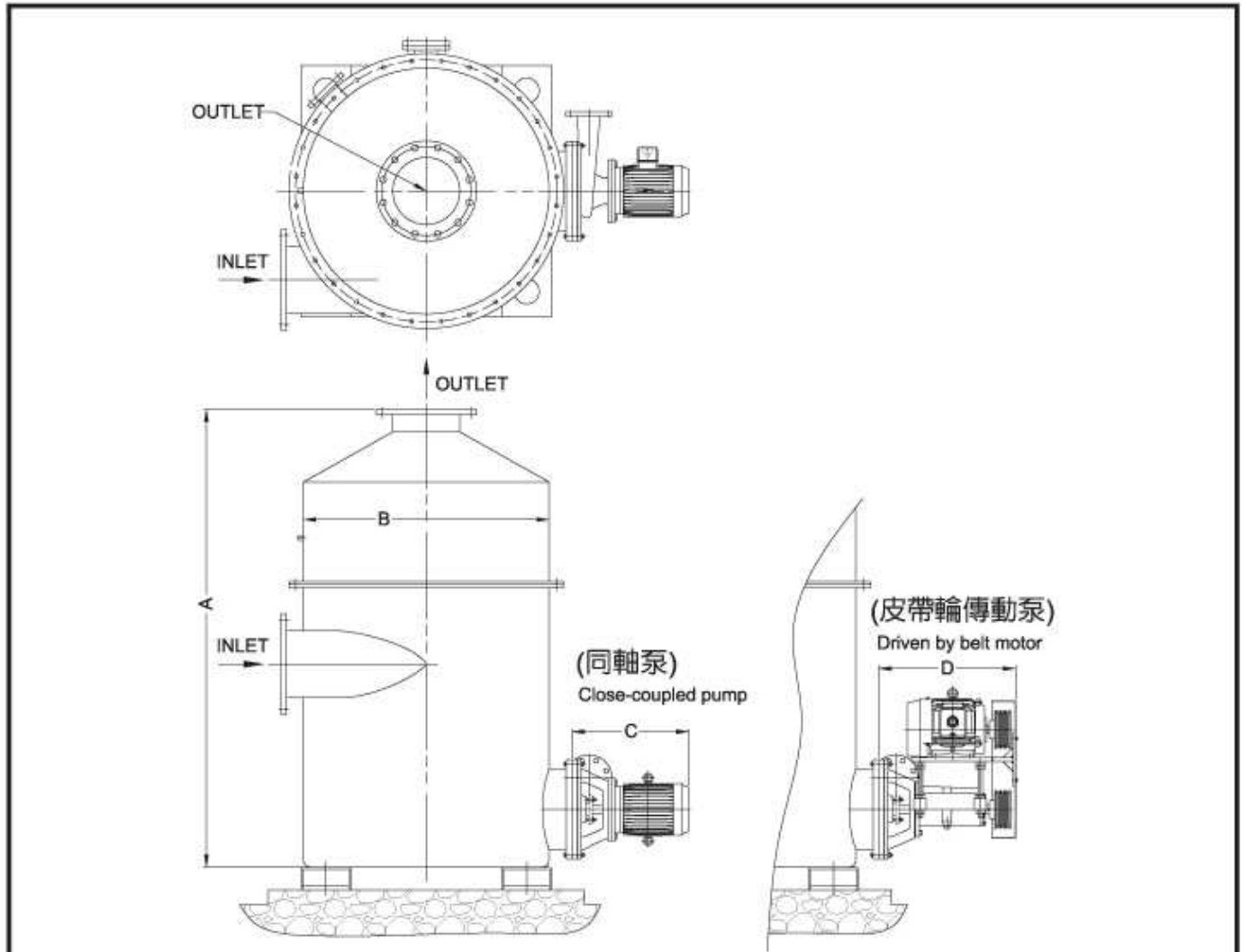
### 二、同軸泵 (Close-coupled pump)



編號	零件名稱	
10	泵殼	Casing
22	葉輪	Impeller
23	葉輪螺帽	Impeller nut
32	填料蓋	Gland
36	吸入蓋	Side plate
45	水封環	Lantern ring
46	擋水環	Water slinger
50	軸心	Motor shaft
51	軸套	Shaft sleeve
62	馬達底板	Motor base
830	M側油封	Oil seal
90	填料	Gland packing
95	吸入筒配合管	suction tube



## 》尺寸表(Standard Dimensions)



分離筒 Separator Details				泵浦 Pump Details			
A	B	inlet	outlet	機種	C	D	MOTOR(HP)
1500	500	150	150	2"	480	550	3HP/4P 100L
1750	577	200	200		484	550	5HP/4P 112M
1448	585	200	200	3"	602	585	7.5HP/4P 132S
1750	585	200	200		602	585	10HP/4P 132M
1880	782	200	200	5"	728	710	7.5HP/4P 132S
1880	786	250	250		728	710	10HP/4P 132M
2294	970	250	250		813	710	15HP/4P 160M
2294	980	250	250				
2294	980	300	300				
2294	1290	350	350				
2836	1546	450	450				

分離筒可依客戶需求，配合各種管徑與安裝方位。

The size and direction of inlet and outlet of separator could be specified by order.

※以上尺寸僅供參考，正確尺寸依承認圖為基準。

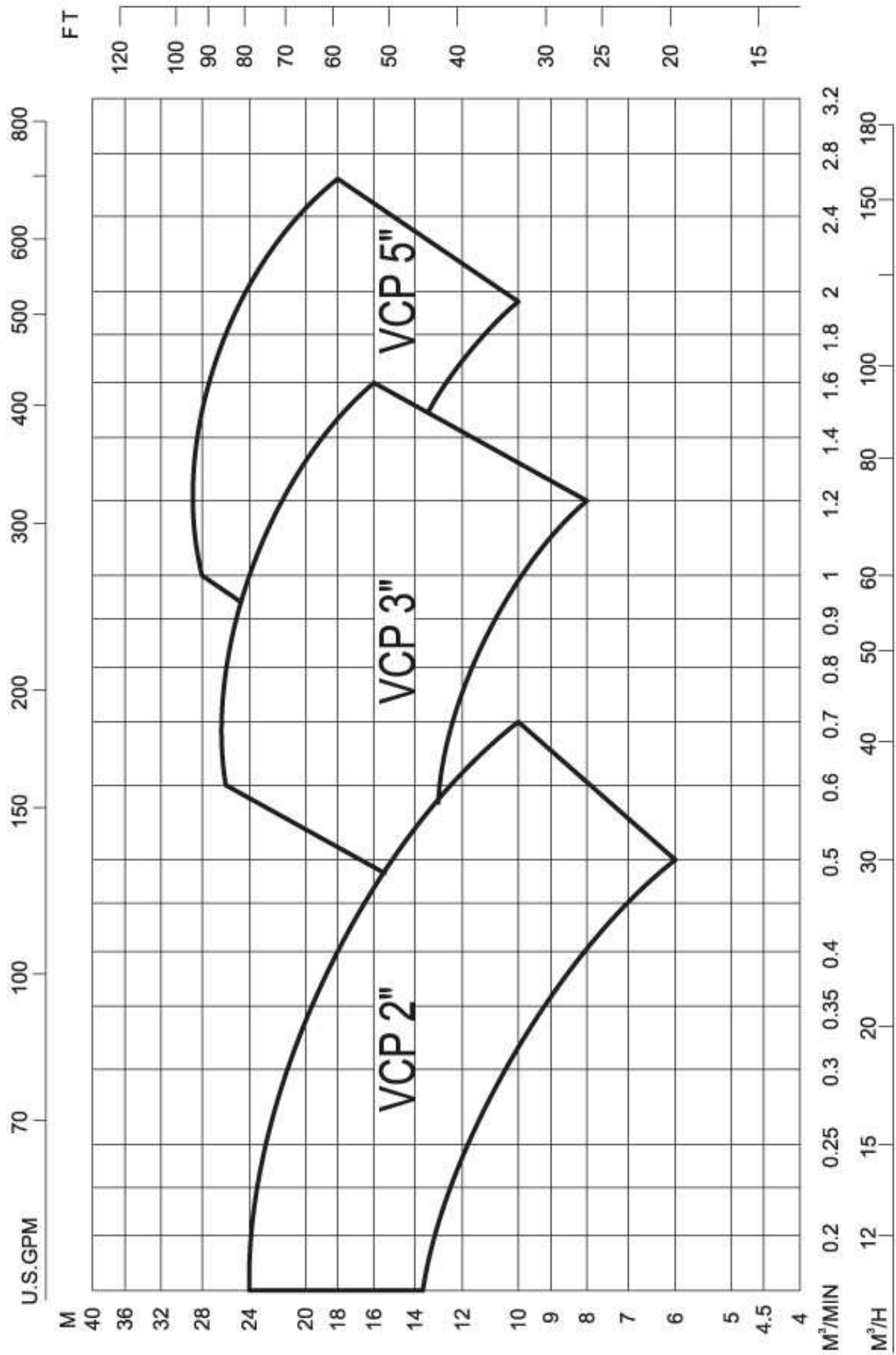
※The above-mentioned size are only for reference, the correct size, in accordance with acknowledging pursuing as basis.

單位(UNIT):mm



ALL STAR PUMP ENTERPRISE CO.,LTD. MODEL: VCP 60HZ:1750R.P.M

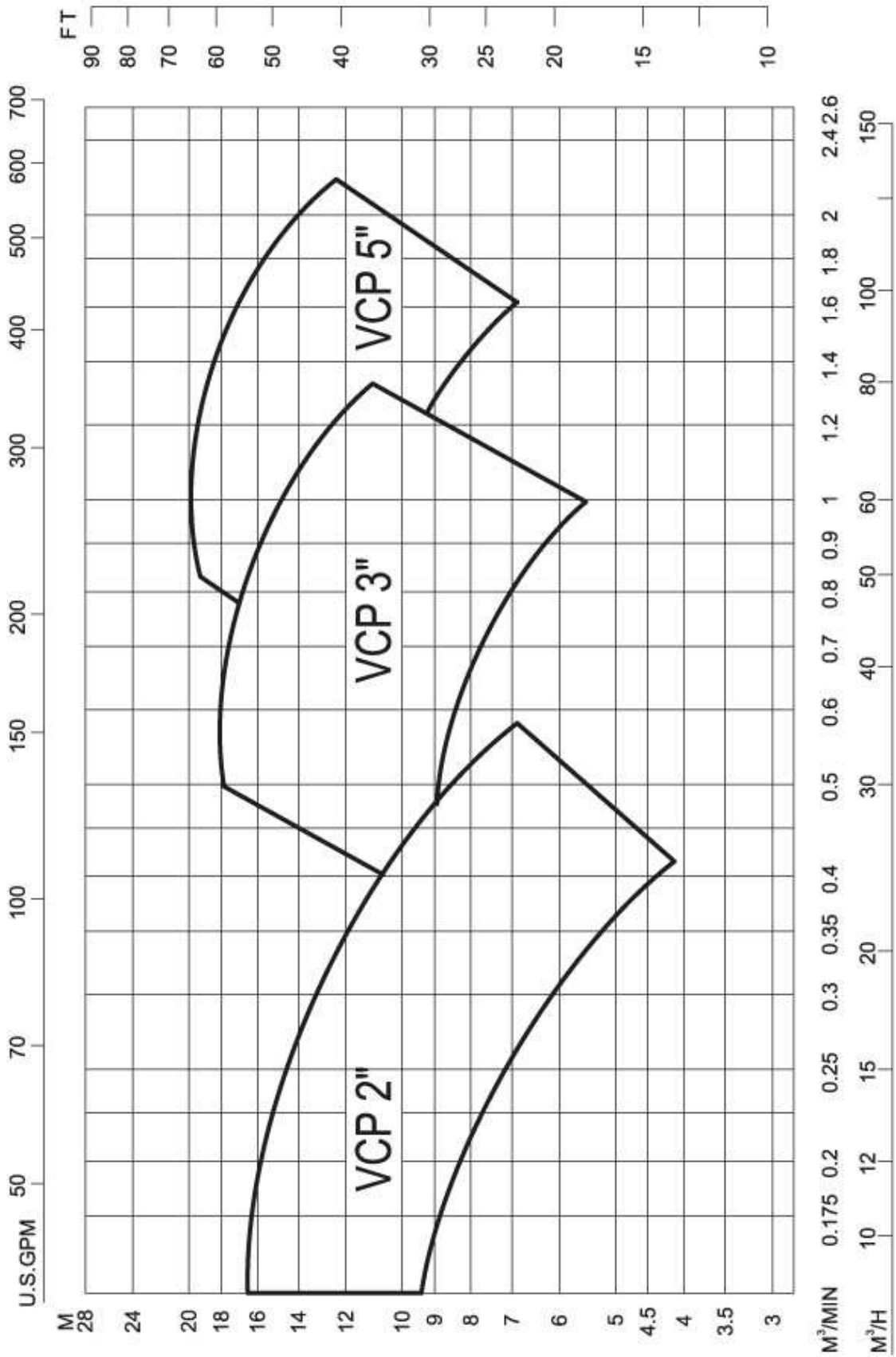
性能選擇表 PERFORMANCE RANGES







ALL STAR PUMP ENTERPRISE CO.,LTD. MODEL: VCP 50HZ:1450R.P.M  
性能選擇表 PERFORMANCE RANGES





## 》如蒙洽詢請指示下列各項

In sending your enquiry or order, please inform us with the following Informations in detail:

1. 出水量(Capacity): \_\_\_\_\_ m<sup>3</sup>/min, \_\_\_\_\_ US.GPM or \_\_\_\_\_ IMP. GPM .
2. 總揚程(Total head): \_\_\_\_\_ m or \_\_\_\_\_ feet
3. 液體(Liquid): \_\_\_\_\_
4. 液體溫度(Temperature of liquid): \_\_\_\_\_ °C or \_\_\_\_\_ °F
5. 紙漿濃度(Pulp consistency): \_\_\_\_\_ %
6. 比重(Specific gravity): \_\_\_\_\_
7. 酸鹼度(P.H.): \_\_\_\_\_
8. 運轉溫度下之蒸氣壓力(Vapor pressure at operating temperature):  
\_\_\_\_\_ kg/cm<sup>2</sup>, or \_\_\_\_\_ PSIA
9. 可用之淨有效吸入揚程(NPSH available): \_\_\_\_\_ m or \_\_\_\_\_ feet
10. 泵浦迴轉數(Pump speed): \_\_\_\_\_ rpm
11. 驅動馬達出力(Driven motor output): \_\_\_\_\_ KW or \_\_\_\_\_ HP
12. 電源特性(Electric characteristics):  
\_\_\_\_\_ Phase \_\_\_\_\_ Cycle \_\_\_\_\_ Volts



萬事興實業有限公司  
ALL STAR PUMP ENTERPRISE CO.,LTD.

嘉義市港坪里育人路165巷41弄14號 電話：05-2359597 傳真：05-2358969

No. 14 Alley 41, Lane 165, Yu Zen Road, Gun-Pingli, Chia-Yi City, Taiwan.R.O.C.

TEL:886-5-2359597 FAX:886-5-2358969

<http://www.aspump.com.tw> E-mail:starpump@ms26.hinet.net